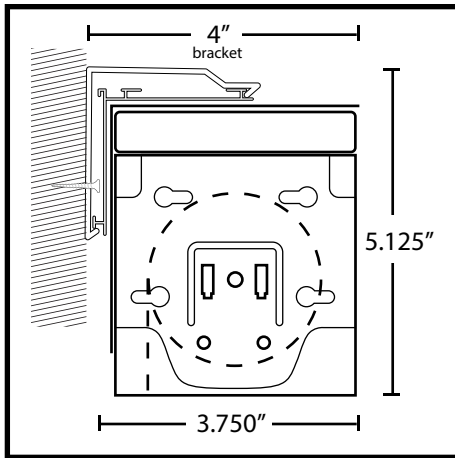
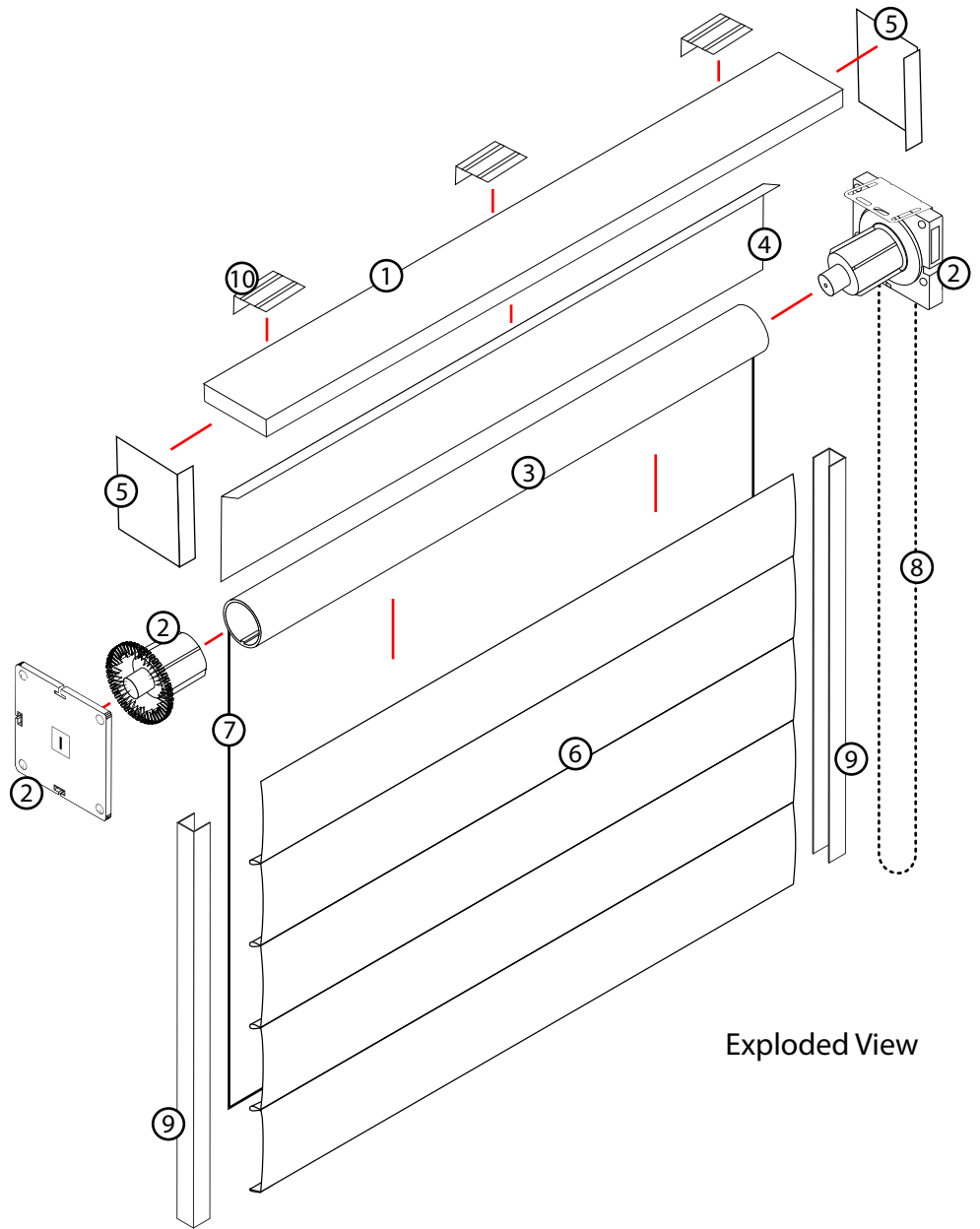


Ceiling Mount



Wall Mount



Exploded View

- | | |
|--|--|
| 1. [INTB-00001] 1 x 12 x 12 header board | 6. Roman face panel |
| 2. [CR-RKY37396] Heavy duty 3" roller mechanism (SQ-320) | 7. Roman lining |
| 3. [INAT-00003-2] Aluminum tube | 8. [MPBC-00297/47-48] Stainless steel chain |
| 4. [INFS-00015] Back fascia 4" | 9. [INRL-00008] Low profile 1 1/4 side channels (optional) |
| 5. Fabric returns (for outside mount) | 10. [INRA-00013] Split rail bracket |